









Antares, Inc.





Vinyl Blade Products Catalog

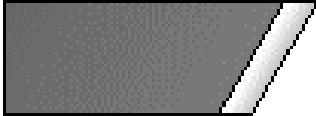

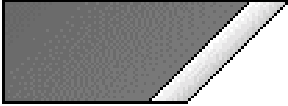



© 1998 Antares, Inc. All Rights Reserved







- All Antares cutting blades are manufactured using micrograin carbide for performance and durability.
- Blades are packaged with protective caps. Custom packaging and labeling are available.
- Blades shown are our standard products. However, we have the capability to produce blades for specialty applications. Contact us for information.







ANAGRAPH		
45°	P/N AVB-ANA045	For cutting general signage vinyl 2 - 12 mil. thick with 0.25 mm offset setting.
		Actual Size 
60°	P/N AVB-ANA060	For cutting material 12 mil. and thicker with 0.25 mm offset setting.
		Actual Size 










GRAPHTEC		
45°	P/N AVB-GRA045	For cutting general signage vinyl 2 - 12 mil. thick.
		Actual Size 
60°	P/N AVB-GRA060	For cutting material 12 mil. and thicker.
		Actual Size 





IOLINE		
45°	P/N AVB-IOL045	For cutting general signage vinyl 2 - 12 mil thick.
		Actual Size 
60°	P/N AVB-IOL060	For cutting material 12 mil. and thicker.
		Actual Size 

GERBER		
30°	P/N AVB-GER030	 Actual Size 
For cutting 2 - 4 mil. thick material.		
45°	P/N AVB-GER045	 Actual Size 
For cutting 4 - 12 mil. thick material.		
GSX	P/N AVB-GERGSX	 Actual Size 
For cutting 2 - 4 mil. thick material.		

MIMAKI		
37°	P/N AVB-MIM001	For cutting 2 - 4 mil. thick material with 0.25 - 0.30 mm offset setting.
		Actual Size 
40°	P/N AVB-MIM003	For cutting small letters and detail in 2 - 4 mil. thick material with .125 mm offset setting.
		Actual Size 
56°	P/N AVB-MIM005	For cutting small letters and detail in 2 - 4 mil. thick material with 0.75 mm offset setting.
		Actual Size 

MUTOH		
30°	P/N ZME-10034A	For cutting material 12 mil. or thicker with 0.5 mm offset setting.
		Actual Size 
45°	P/N ZME-10034B	For cutting small letters and detail in 4 - 12 mil. thick material with 0.5 mm offset setting.
		Actual Size 
60°	P/N ZME-10034C	For cutting small letters and detail in 2 - 4 mil. material with 0.5 mm offset setting.
		Actual Size 

ROLAND / GCC	
P/N AVB-RG045STD	For cutting general signage vinyl. Standard blade with largest angle.
 Actual Size 	
P/N AVB-RG060SB	For cutting thin sandblast masks and stencils with friction feed or sprocket feed machines.
 Actual Size 	
P/N AVB-RG045FD	For cutting small text and fine detail. Sharp blade with smallest offset (.175 mm).
 Actual Size 	
P/N AVB-RG045REF	For cutting thick, flourescent and reflective vinyl. Also, for cutting detailed work on standard vinyl.
 Actual Size 	
P/N AVB-RG05750	For cutting reflective vinyl, cardboard, sandblast, and stencil. Sharp edge with 0.50 mm offset.
P/N AVB-RG05775	For cutting cardboard, sanblast, and stencil. Sharp edge with 0.75 mm offset.
P/N AVB-RG057100	For cutting cardboard, sanblast, and stencil. Sharp edge with 1.00 mm offset.
 Actual Size 	

SUMMAGRAPHICS			
36°	<table border="1" style="width: 100%;"> <tr> <td style="width: 25%;">P/N AVB-SUM001</td> <td>For cutting general signage vinyl 2 - 12 mil. thick with 0.45 mm offset setting.</td> </tr> </table>	P/N AVB-SUM001	For cutting general signage vinyl 2 - 12 mil. thick with 0.45 mm offset setting.
P/N AVB-SUM001	For cutting general signage vinyl 2 - 12 mil. thick with 0.45 mm offset setting.		
 Actual Size 			
60°	<table border="1" style="width: 100%;"> <tr> <td style="width: 25%;">P/N AVB-SUM003</td> <td>For cutting material 12 mil. and thicker with 0.45 mm offset setting.</td> </tr> </table>	P/N AVB-SUM003	For cutting material 12 mil. and thicker with 0.45 mm offset setting.
P/N AVB-SUM003	For cutting material 12 mil. and thicker with 0.45 mm offset setting.		
 Actual Size 			

Antares, Inc.

Quality Cutting Tools for the Engraving and Sign Industries

418 Caredean Dr. • Horsham, PA • 19044

Phone: (800) 355-5250 • Fax: (800) 355-0154

E-mail: antares@antaresinc.net

Web Page: www.antaresinc.net